

General Catalog Piping Tools

2023

Dedicated to pipe tools





INTRODUCTION

Company Introduction

To help customers succeed in the field of plastic pipe joining, WELPING had been focusing on thermoplastic welding equipment developing, manufacturing and selling since 2005. We aim to bring industrial level design, performance and quality together, to help you build reputation.

To suit different welding applications and market requirements, we are offering different level items represented by brand WELPING, YOVIDA, VOLKIR and DOWELD. Brand WELPING enjoys a high reputation for exportation, benefitting from the steady product quality and performance. Thanks to our experienced engineers, WELPING can help you to quickly decide OEM and ODM requirements. At the same time, we are improving and updating products line to better suit field requirements.

On metal piping applications, we also invested and cooperated with reliable partner factories to provide high quality and cost-competitive products for our esteemed customers.

WELPING knows the importance of fast delivery for our customers. To better shorten production lead time, we consolidate critical production procedures into self-management, like die casting, laser cutting, metal fabrication, CNC machining, powder coating etc. Standard items and light-OEM items, WELPING can finish in around 10-15 days.



RG-1X Electric Hydraulic Roll Grooving Machine

Design Features

- Model RG-1X Electric Hydraulic Roll Grooving Machine is designed to roll grooves on steel pipes and Stainless Steel. from 1" - 8" (DN25~DN200) SCH10 to SCH40.
- This product is versatile and can be used for mass production in a workshop or on a job site. It is a comprehensive roll groover that includes a motor, hydraulic feeding pump, foot switch, and pipe stand.
- Built-in high-performance gear reduction motor plays a crucial role in achieving a compact size and low noise level.
- The unique integrated hydraulic feeding pump and groove depth lock nut ensure high quality grooves and high efficiency.

Specifications

Fabrication Capacity:	1"~8"(DN25~DN200,Φ33~Φ219) SCH10/40 Steel Pipe
Max Wall Thickness:	8mm
Output Speed:	23RPM
Gross Weight:	85kgs
Packing Size:	73*40*77cm



Drive Unit

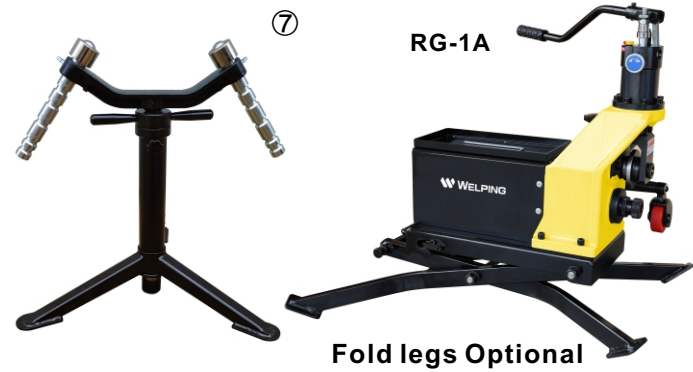
Catalog No.	Phase	Power	Voltage	Frequency
900010	Single	800W	220V	50/60Hz
900011	Single	800W	110V	50/60Hz

Standard

Catalog No.	Description	N.W (kg)	Ref No.
911042	Drive roller 1"~1 1/2" (Φ33~Φ48)	1.10	①
911043	Drive roller 2"~6" (Φ60~Φ168)	1.30	②
911044	Drive roller 8" (Φ219)	1.40	③
912011	Groove roller 1"~1/2" (Φ33~Φ48)	0.40	④
912012	Groove roller 2"~6" (Φ60~Φ168)	0.45	⑤
912013	Groove roller 8" (Φ219)	0.45	⑥
998078	Pipe stand for 1"~8" (Φ33~Φ219)	6.90	⑦

Optional

Catalog No.	Description	N.W (kg)	Ref No.
998026	Foot Switch	1.5	⑧



Drive Roller



Groove Roller





RG-2X Electric Hydraulic Roll Grooving Machine

Design Features

- Model RG-2X Electric Hydraulic Roll Grooving Machine is designed to roll grooves on steel pipes and Stainless Steel. from 2" -12" (DN50~DN300) SCH10 to SCH40.
- This roll groover is perfect for use in both workshop and job site settings. It comes equipped with a powerful motor, hydraulic feeding pump, convenient foot switch, and sturdy pipe stand, making it a comprehensive and versatile tool for mass fabrication.
- Our innovative split-type hydraulic system is designed to prevent oil tank leakage and increase the overall lifespan of the machine. Additionally, our groove depth lock knob ensures the highest quality grooves and maximum efficiency.

Specifications

Fabrication Capacity:	2" ~12"(DN30~DN300,Φ60~Φ325) SCH10/40 Steel Pipe
Max Wall Thickness:	10mm
Output Speed:	23RPM
Gross Weight:	130kgs
Packing Size:	82*47*88cm

Drive Unit

Catalog No.	Phase	Power	Voltage	Frequency
900020	Single	1100W	220V	50/60Hz
900021	Single	1100W	110V	50/60Hz

Standard

Catalog No.	Description	N.W (kg)	Ref No.
911022	Drive roller 2"~3" (Φ60~Φ89)	1.30	①
911021	Drive roller 3½"~6" (Φ101~Φ168)	1.30	②
911020	Drive roller 8"-12" (Φ219~Φ325)	1.40	③
912010	Groove roller 2"~3" (Φ60~Φ89)	0.45	④
912009	Groove roller 3½"~6" (Φ101~Φ168)	0.45	⑤
912008	Groove roller 8"-12" (Φ219~Φ325)	0.45	⑥
998078	Pipe stand for 2"~12" (Φ60~Φ325)	6.90	⑦
998026	Foot Switch	1.50	⑧

Optional

Catalog No.	Description	N.W (kg)	Ref No.
912040	Groove roller for SCH10 Anti-flare(2"-3")	0.45	④
912039	Groove roller for SCH10 Anti-flare(3½"-6")	0.45	⑤
912038	Groove roller for SCH10 Anti-flare(8"-12")	0.45	⑥



Drive Roller



Groove Roller



RG-3 Electric Hydraulic Roll Grooving Machine

Design Features

- Model RG-3 Electric Hydraulic Roll Grooving Machine is designed to roll grooves on steel pipes and Stainless Steel. from 2"-8" (DN50~DN200) SCH10 / SCH40.
- The lightweight and compact design of this product is a cost-effective solution that can help save money on grooving tools.
- With its efficient and portable design, it provides a convenient alternative to bulky and expensive machinery. This makes it an ideal choice for light weight and compact design.
- The unique integrated hydraulic feeding pump and groove depth lock nut ensure high quality grooves and high efficiency.
- Inbuilt high-performance gear reducing motor contributes compact size and low noise.

Specifications

Fabrication Capacity:	2"~4"(DN50~DN100,Φ60~Φ114) SCH10/40 Steel Pipe
	5"~8"(DN125~DN200,Φ139~Φ219) SCH10/20 Steel Pipe
Max Wall Thickness:	6mm
Output Speed:	30RPM
Gross Weight:	47kgs
Packing Size:	56*26*65cm



Drive Unit

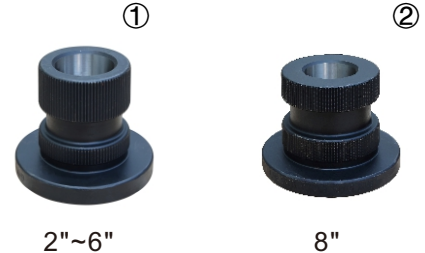
Catalog No.	Phase	Power	Voltage	Frequency
990030	Single	800W	220V	50/60Hz
990031	Single	800w	110V	50/60Hz

Standard

Catalog No.	Description	N.W (kg)	Ref No.
911074	Drive roller 2"~6" (Φ60~Φ168)	1.30	①
911075	Drive roller 8" (Φ219)	1.40	②
912018	Groove roller 2"~6" (Φ60~Φ168)	0.45	③
912032	Groove roller 8" (Φ219)	0.45	④
998028	Pipe Stand for 2"-8" (Φ60~Φ219)	2.20	⑤



Drive Roller



Groove Roller



RG-4X Electric Hydraulic Roll Grooving Machine For Large and Heavy Duty Pipes



Design Features

- Model RG-4X Electric Hydraulic Roll Grooving Machine is designed to roll grooves on steel pipes and Stainless Steel. from 8"-24" (DN200~DN600) SCH10 to SCH40.
- This heavy-duty roll groover is ideal for use in both workshop and job site settings. Equipped with a powerful motor, hydraulic feeding pump, foot switch, and pipe stand, it boasts full functionality for streamlined mass fabrication. Additionally, its exceptional strength and durability make it a reliable choice for heavy-duty applications.
- The exceptional hydraulic feeding pump and locking nut for groove depth integration guarantee exceptional groove quality and maximum efficiency.

Specifications

Fabrication Capacity:	8"~16"(DN200~DN400,Φ219~Φ426) SCH10/40 Steel Pipe
	18"~24"(DN450~DN600,Φ457~Φ630) SCH10/20 Steel Pipe
Max Wall Thickness:	13mm
Output Speed:	20RPM
Gross Weight:	230kgs
Packing Size:	110*75*99cm

* Note:Optional roller set is required for roll grooving 6"/DN150 pipe.

Drive Unit

Catalog No.	Phase	Power	Voltage	Frequency
900040	Three	2200W	380V	50/60Hz
900041	Three	2200W	440V	50/60Hz

Standard

Catalog No.	Description	N.W (kg)	Ref No.
911087	Drive roller 8"~12" (Φ219~Φ325)	1.10	①
911088	Drive roller 14"~16" (Φ355~Φ426)	1.30	②
911089	Drive roller 18"~24" (Φ457~Φ630)	1.40	③
912029	Groove roller 8"~12" (Φ219~Φ325)	0.40	④
912030	Groove roller 14"~16" (Φ355~Φ426)	0.45	⑤
912031	Groove roller 18"~24" (Φ457~Φ630)	0.45	⑥
998038	Pipe stand for 8"~24" (Φ219~Φ630)	6.90	⑦
998026	Foot switch	1.5	⑧

Optional

Catalog No.	Description	N.W (kg)	Ref No.
911099*	AGS Groove roller 14"~24" (Φ355~Φ630)	3.50	⑨
912034*	AGS Drive roller 14"~24" (Φ355~Φ630)	2.00	⑩

Drive Roller



8"~12"



14"~16"



18"~24"



14"~24"

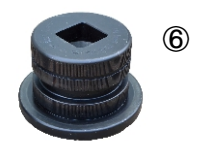
Groove Roller



8"~12"



14"~16"



18"~24"



14"~24"



RG-5X Light Weight Roll Grooving Machine

Design Features

- Model RG-5X Electric Hydraulic Roll Grooving Machine is designed to roll grooves on steel pipes and stainless steel from 1" -12" (DN33~DN300) SCH10/SCH20, 1" -8" (DN25~DN200) SCH10/SCH40
- Appropriate for various daily tasks involving fire-fighting pipes, this roll groover is a comprehensive tool that includes a motor, hydraulic feeding pump, foot switch, and pipe stand.
- The motor's built-in high-performance gear reduction system enables a compact design and reduced noise levels.
- The unique combination of the hydraulic feeding pump and the groove depth lock knob guarantees premium grooves and optimal efficiency.

Specifications

Fabrication Capacity:	1"~8"(DN25~DN200,Φ33~Φ219) SCH10/40 Steel Pipe
	10" -12"(DN250~DN300,Φ254~Φ325) SCH10/20 Steel Pipe
Max Wall Thickness:	8mm
Output Speed:	23R.P.M
Gross Weight:	95kgs
Packing Size:	75*40*70cm

Drive Unit

Catalog No.	Phase	Power	Voltage	Frequency
900050	Single	1100W	220V	50/60Hz
900051	Single	1100W	110V	50/60Hz

Standard

Catalog No.	Description	N.W (kg)	Ref No.
911106	Drive roller 1" - 1½" (Φ33~Φ48)	1.15	①
911007	Drive roller 2"-3" (Φ60~Φ89)	1.15	②
911008	Drive roller 3½"-6" (Φ101~Φ168)	1.70	③
911019	Drive roller 8"-12" (Φ219~Φ325)	1.70	④
912041	Groove roller 1" - 1½" (Φ33~Φ48)	0.90	⑤
912042	Groove roller 2"-6" (Φ60~Φ168)	0.80	⑥
912043	Groove roller 8"-12" (Φ219~Φ325)	0.70	⑦
998078	Pipe stand for 1"~12" (Φ33~Φ325)	6.90	⑧
998026	Foot Switch	1.50	⑨

Drive Roller



1"~1 ½"



2"~3"



3 ½"-6"



8"-12"

Groove Roller



1"~1 ½"



2"~6"



8"-12"

RG-6X Electric Hydraulic Roll Grooving Machine

Design Features

- Model RG-6X Electric Hydraulic Roll Grooving Machine is designed to roll grooves on steel pipes and Stainless Steel. from 2" - 16" (DN50~DN400) SCH10 / SCH40.
- The compact large-sized groove machine boasts exceptional versatility and robust performance. Its wide working size range and heavy-duty adjustable bracket make it suitable for pipes of varying sizes.
- Special designed roller set prevents flare on the pipe ends, eases the installation of the grooved couplings.
- Inbuilt high-performance gear reducing motor contributes compact size and low noise.
- The unique split-type hydraulic system prevents oil leak and extends service life. Groove depth lock nut ensure high quality grooves and high efficiency.

Specifications

Fabrication Capacity: 2"~16"(DN50~DN400,Φ60~Φ426)
SCH10/40 Steel Pipe
Max Wall Thickness: 10mm
Output Speed: 23RPM
Gross Weight: 170kgs
Packing Size: 92*48*87cm



Drive Unit

Catalog No.	Phase	Power	Voltage	Frequency
900060	Single	1100W	220V	50/60Hz
900061	Single	1100W	110V	50/60Hz

Standard

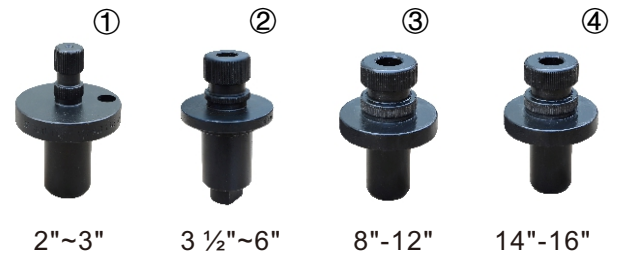
Catalog No.	Description	N.W (kg)	Ref No.
911022	Drive roller 2"~3" (Φ60~Φ89)	1.30	①
911021	Drive roller 3 ½"~6" (Φ101~Φ168)	1.30	②
911020	Drive roller 8"~12" (Φ219~Φ325)	1.40	③
911143	Drive roller 14"~16" (Φ355~Φ426)	1.60	④
912010	Groove roller 2"~3" (Φ60~Φ89)	0.45	⑤
912009	Groove roller 3 ½"~6" (Φ101~Φ168)	0.45	⑥
912008	Groove roller 8"~12" (Φ219~Φ325)	0.45	⑦
912052	Groove roller 14"~16" (Φ355~Φ426)	0.45	⑧
998026	Foot switch	1.50	⑨
998103	Pipe stand for 2"~16" (Φ60~Φ426)	33.0	⑩

Optional

Catalog No.	Description	N.W (kg)	Ref No.
912040*	Groove roller for SCH10 Anti-flare (2"~3")	0.45	⑤
912039*	Groove roller for SCH10 Anti-flare (3½"~6")	0.45	⑥
912038*	Groove roller for SCH10 Anti-flare (8"~12")	0.45	⑦
912056*	Groove roller for SCH10 Anti-flare(14"~16")	0.45	⑧



Drive Roller



2"~3"

3 ½"~6"

8"~12"

14"~16"

Groove Roller



2"~3"

3 ½"~6"

8"~12"

14"~16"

RG-1M

Combination Roll Groover PATENTED Designed 1"~12"

Design Features

- Model RG-1M combination Roll Groove is designed TWO TOOLS IN ONE.
- With its compact and portable design, this roll grooving machine is perfect for performing medium volume grooving tasks in tight spaces and on job sites.
- Chuck your workpiece into the 300 threading machine's power drive or horizontal threading machine, or use a manual roll groove to create threads in place without the need for a power supply
- Heavy duty design for fire-fighting pipelines size range 1"~12" (DN25~DN300),SCH10 to SCH40).
- Groove depth lock net ensures high quality grooves and high grooving efficiency.
- Quick and easy swap shafts in 30 seconds.

Specifications

Fabrication Capacity:	1"~8"(DN25~DN200,Φ33~Φ219) SCH10/40 Steel Pipe
	10"~12"(DN250~DN300,Φ254~Φ325) SCH10/20 Steel Pipe
Max Wall Thickness:	8mm
Operation radius:	210mm / 8 ¼"
Gross Weight:	25kgs
Packing Size:	50*22*53cm



Drive Unit

Catalog No.	Description	N.W (kg)	Size(cm)
900000	1" - 12" roll grooving assembly	17.7	50*22*53

Standard

Catalog No.	Description	N.W (kg)	Ref No.
911010	Drive roller 1 ¼"~1 ½" (Φ42~Φ48)	0.70	①
911009	Drive roller 2"~6" (Φ60~Φ168)	0.70	②
911008	Drive roller 8"~12" (Φ219~Φ325)	0.70	③
912016	Groove roller 1"~6" (Φ33~Φ168)	0.30	④
912005	Groove roller 8"~12" (Φ219~Φ325)	0.30	⑤
998036	Ratchet with socket	1.50	⑥

Optional

Catalog No.	Description	N.W (kg)	Ref No.
911011	Drive roller 1" (Φ33)	0.70	①
911016	Support arms (x2) for 300	1.40	⑦
911015	Drive bar adaptor	2.50	⑧
998034	HDPE tool case	2.70	⑨
998114	Bracket set for horizontal threading machine	1.00	⑩

Drive Roller



Groove Roller





RG-2M

Combination Roll Groover PATENTED Designed 1"~6"

Design Features

- Model RG-2M combination Roll Groove is designed TWO TOOLS IN ONE.
- It is an idea portable roll grooving machine fore medium volume grooving on job site and in-place pipe grooving.
- Chuck into 300 threading machine power drive or horizontal threading machine, or manual roll groove in place without power supply.
- Heavy duty design for fire-fighting pipelines size range 1"~6" (DN25~DN150),SCH10 to SCH40).
- Groove depth lock net ensures high quality grooves and high grooving efficiency.
Quick and easy swap shafts in 30 seconds.

Specifications

Fabrication Capacity:	1"~4"(DN25~DN100,Φ33~Φ114) SCH10/40 Steel Pipe
	5"~6"(DN125~DN150,Φ139~Φ168) SCH10/20 Steel Pipe
Max Wall Thickness:	6mm
Operation radius:	210mm / 8 ¼"
Gross Weight:	15kgs
Packing Size:	50*22*53cm

Drive Unit

Catalog No.	Description	N.W (kg)	Size(cm)
900001	1" -6" roll grooving assembly	12.5	50*22*53

Standard

Catalog No.	Description	N.W (kg)	Ref No.
911071	Drive roller 1 ¼"~6" (Φ42~Φ168)	0.70	①
912016	Groove roller 1"~6" (Φ33~Φ168)	0.30	②
998036	Ratchet with socket	1.50	③

Optional

Catalog No.	Description	N.W (kg)	Ref No.
911011	Drive roller 1" (Φ33)	0.70	①
911016	Support arms (2pcs) for 300	1.40	④
911015	Drive bar adaptor	2.50	⑤
998114	Bracket set for horizontal threading machine	1.00	⑥
998034	HDPE tool case	2.70	⑦

Drive Roller



1 ¼"~6"



Groove Roller



1"~6"



RG-H1X Manual Hydraulic Roll Grooving Assembly



Design Features

- Model RG-H1X Manual Hydraulic Roll Grooving Assembly is designed to groove steel pipes by mounted power drive or horizontal threading machines
- It is light weight tool for grooving 2" to 8" (DN50~DN200) steel pipe
- Compact design and rugged structure enables unit for mass fabrication duty on jobs
- The unique combination of the hydraulic feeding pump and the groove depth lock knob guarantees premium grooves and optimal efficiency.

Specifications

Fabrication Capacity:	2"~4"(DN50~DN100,Φ60~Φ114) SCH10/SCH40 steel pipe
	5"~8"(DN125~DN200,Φ139~Φ219) SCH10/SCH20 steel pipe
Max Wall Thickness:	6mm
Gross Weight:	29kgs
Packing Size:	38*42*47cm

Drive Unit

Catalog No.	Description	N.W (kg)	Size(cm)
900002	2"-8" hydraulic roll grooving assembly	18	38*42*47

Standard

Catalog No.	Description	N.W (kg)	Ref No.
911074	Drive roller 2"~6" (Φ60~Φ168)	1.30	①
911075	Drive roller 8" (Φ219)	1.30	②
912018	Groove roller 2"~6" (Φ60~Φ168)	0.45	③
912032	Groove roller 8" (Φ219)	0.45	④
911018	Drive bar adapter	2.30	⑤
913006	Support Bench	2.20	⑥

Drive Roller



Groove Roller



*Adapter plate to fit on threading machine



RG-H2X Manual Hydraulic Roll Grooving Assembly

Design Features

- Model RG-H2X Manual Hydraulic Roll Grooving Assembly is designed to groove steel pipes by mounted power drive or horizontal threading machines
- It is heavy duty for grooving 2" to 12" steel pipe
- Compact design and rugged structure enables unit for mass fabrication duty on jobs
- The unique combination of the hydraulic feeding pump and the groove depth lock knob guarantees premium grooves and optimal efficiency.

Specifications

Fabrication Capacity:	2"~12"(DN50~DN300,Φ60~Φ325) SCH10/40 Steel Pipe
Max Wall Thickness:	10mm
Gross Weight:	67kgs
Packing Size:	45*20*65cm

Drive Unit

Catalog No.	Description	N.W (kg)	Size(cm)
900003	2"-12" hydraulic roll grooving assembly	48	45*20*65

Standard

Catalog No.	Description	N.W (kg)	Ref No.
911022	Drive roller 2"~3" (Φ60~Φ89)	1.30	①
911021	Drive roller 3½"~6" (Φ101~Φ168)	1.30	②
911020	Drive roller 8"~12" (Φ219~Φ325)	1.40	③
912010	Groove roller 2"~3" (Φ60~Φ89)	0.45	④
912009	Groove roller 3½"~6" (Φ101~Φ168)	0.45	⑤
912008	Groove roller 8"~12" (Φ219~Φ325)	0.45	⑥
911018	Drive bar adapter	2.30	⑦
913006	Support Bench	2.20	⑧

Drive Roller



Groove Roller



*Adapter plate to fit on threading machine



CM-8 Electric Hydraulic Pipe Cutting Machine

Design Features

- Model CM-8 Pipe Cutting Machine are cold extruding steel pipe cutter with turning blade.
- No sparks, chips, or burrs will be produced during the cutting process, making it suitable for use in high-risk working environments. This makes it a safe and reliable option for industries where safety is of utmost importance.
- Powered by high performance low-noise gear reduction motor in compact size.
- Enhanced by a high-performance, low-noise gear reduction motor, this compact device packs a powerful punch.

Specifications

Fabrication Capacity:	2"~8"(DN50~DN200,Φ60~Φ219) Steel Pipe
Max Wall Thickness:	8mm
Output Speed:	30RPM
Gross Weight:	80kgs
Packing Size:	67*47*75cm



Drive Unit

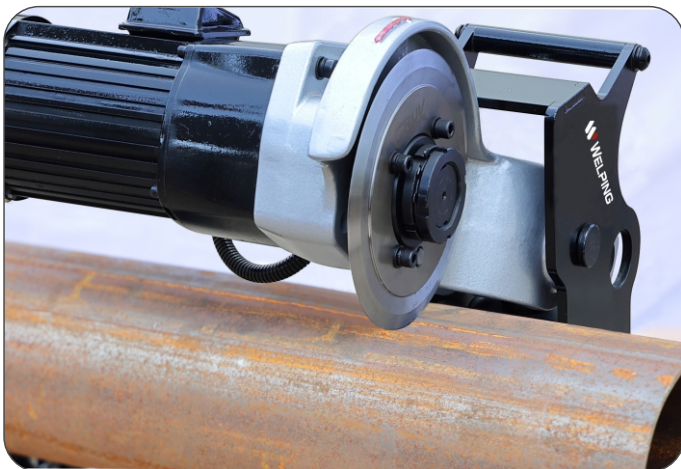
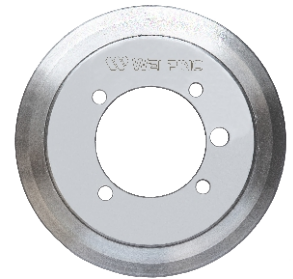
Catalog No.	Phase	Power	Voltage	Frequency
900070	Single	700W	220V	50/60Hz
900071	Single	700W	110V	50/60Hz

Standard

Catalog No.	Description	N.W (kg)	Ref No.
998030	Pipe stand for 2"~8" (Φ60~Φ219)	4.00	①
912019	cutting blade	1.25	②

①

②



CM-12 Electric Hydraulic Pipe Cutting Machine



Design Features

- Model CM-12 Pipe Cutting Machine are cold extruding steel pipe cutter with turning blade.
- No ignition, microchip or rough edges through precision cutting. Ideal for use in high-risk working environments.
- Powered by high performance low-noise gear reduction motor in compact size.
- A fully enclosed hydraulic unit equipped with top-quality seals and heat-treated alloy cutting blades ensures an extended lifespan.
- Enhanced by a high-performance, low-noise gear reduction motor, this compact device packs a powerful punch.

Specifications

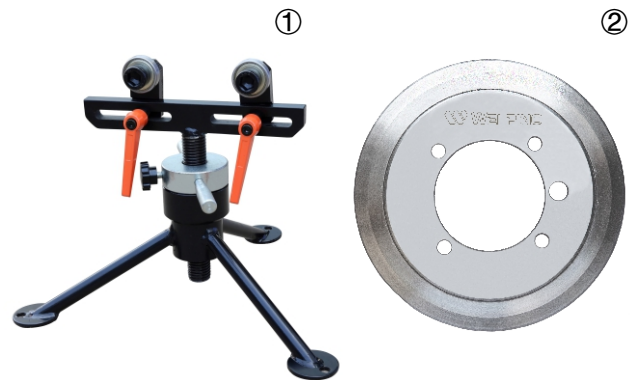
Fabrication Capacity:	2"~12"(DN50~DN300,Φ60~Φ325) Steel Pipe
Max Wall Thickness:	10mm
Output Speed:	23RPM
Gross Weight:	128kgs
Packing Size:	75*60*100cm

Drive Unit

Catalog No.	Phase	Power	Voltage	Frequency
900080	Single	1100W	220V	50/60Hz
900081	Single	1100W	110V	50/60Hz

Standard

Catalog No.	Description	N.W (kg)	Ref No.
998041	Pipe stand for 2"~12" (Φ60~Φ325)	4.00	①
912019	cutting blade	1.25	②



CM-20 Electric Hydraulic Pipe Cutting Machine

Design Features

- Model CM-20 Pipe Cutting Machine are cold extruding steel pipe cutter with turning blade.
- No ignition, fragmentation or roughness during the cutting process. Ideal for high-risk working environments.
- Equipped with a high-performance, low-noise gear reduction motor, this compact device is powered to deliver exceptional results.
- A fully enclosed hydraulic system, equipped with top-notch seals and heat-treated alloy cutting blades, ensures exceptional durability and longevity.

Specifications

Fabrication Capacity:	8"~20"(DN200~DN500, Φ 219~ Φ 530)
Max Wall Thickness:	Steel Pipe 10mm
Output Speed:	23RPM
Gross Weight:	200kgs
Packing Size:	92*80*110cm

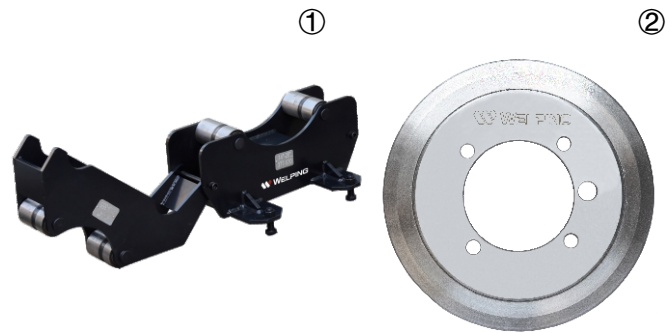


Drive Unit

Catalog No.	Phase	Power	Voltage	Frequency
900090	Single	1100W	220V	50/60Hz
900091	Single	1100W	110V	50/60Hz

Standard

Catalog No.	Description	N.W (kg)	Ref No.
998102	Pipe stand for 8"~20" (Φ 219~ Φ 530)	45.00	①
912019	cutting blade	1.25	②





Hangzhou Welping Machinery Equipment Co., Ltd

Phone: 00 86 571 89332538

E-mail: top@welping.cn Web: www.welpingtool.com

Office address: Room 1904 Building 1, Taifu Plaza, No. 1 Tonghui Middle Road,
Xiaoshan District, Hangzhou

Factory address: No. 2 Jinyuan Road, Puyang Town, Xiaoshan District, Hangzhou, China